

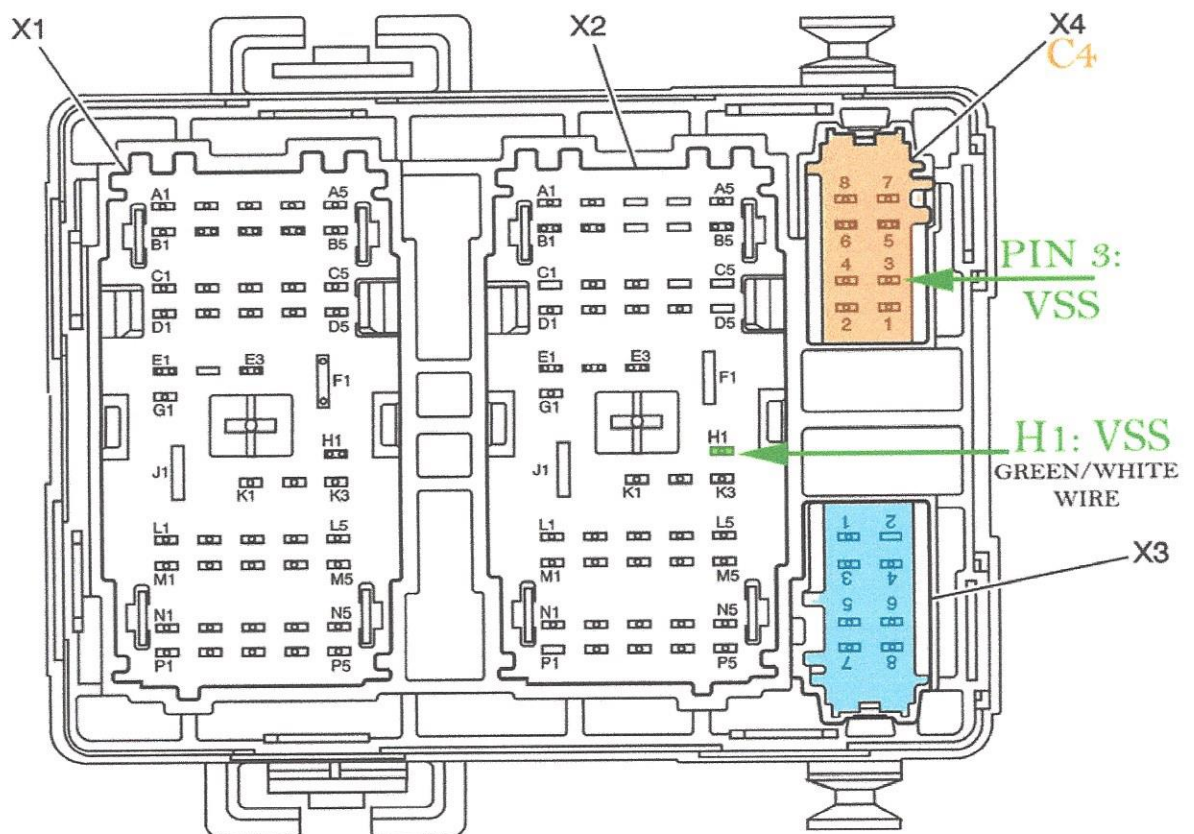
VSS/Camera Harness Installation

Special Note: Certain vehicles such as the Acadia, may have the 16 pin brown plug already present behind the radio (unused). It may be taped to the radio harness. If this plug is present, you will not need to run a wire for the vehicle speed sensor.

Camera Note: If camera is present in rear-view mirror, it **will not** automatically re-locate to the navigation display. If you wish to relocate the camera from the rear-view mirror to your newly installed navigation radio, contact us to order **GMMBH-SPLT-P** (if your vehicle has power rear sliding window) or **GMMBH-CONV** (if your vehicle does not have the power rear sliding window). A 6' RCA cable will connect the GMMBH harness to the included VSS harness RCA camera input.

Step 1: Pin 5, Green wire, of Brown C4 connector goes to the VSS wire. This is a Green/White wire located in the BCM Junction behind the brake pedal. It is notated by a Black box cover. If Orange plug BCM-C4(X4) is present in the rear of the BCM Junction, remove plug, remove Red locking tab, and populate pin 3 with the Green wire and supplied GM pin. If orange plug is not present, find Green/White wire in the BCM harness, Pin H1, **plug C2(X2)**. Once wire is verified, tap supplied green/white wire into vehicle Green/White wire using GM approved wire repair techniques. *For Acadia, Traverse, & Enclave, see next page.*

BCM Junction Block - Left I/P –BACK SIDE

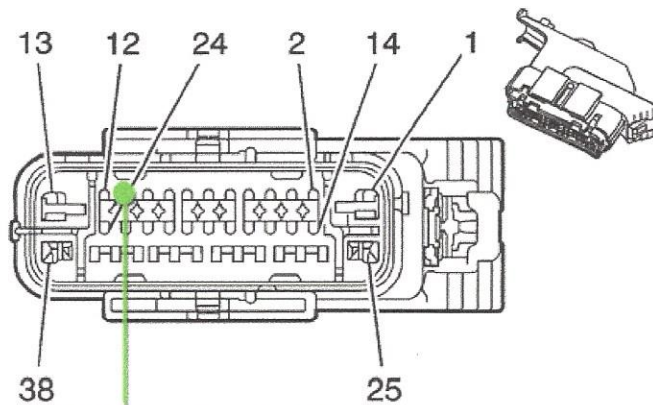
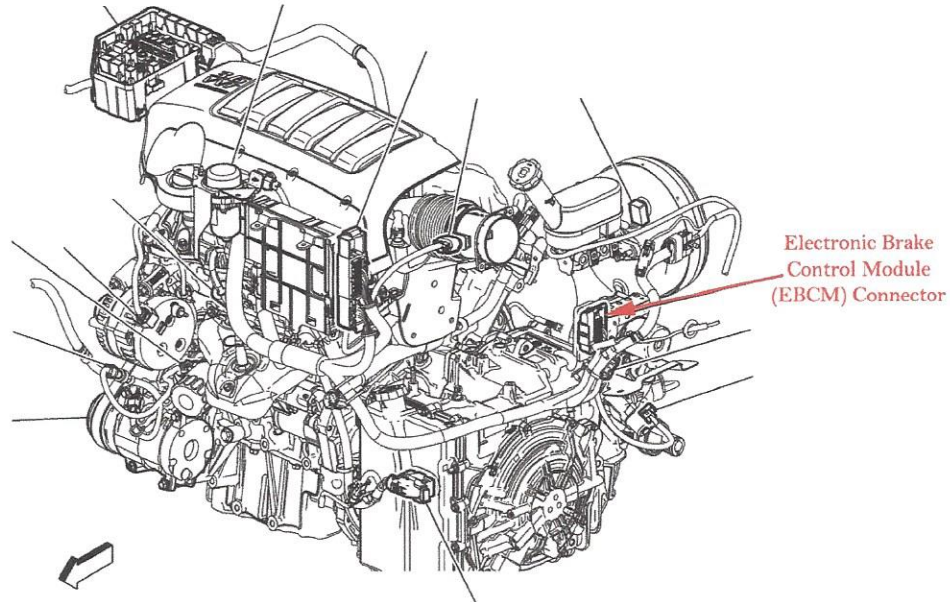


VSS/Camera Harness Installation

ENCLAVE, TRAVERSE, AND ACADIA

For these vehicles, you may need to go to the Electronic Brake Control Module (EBCM) under the hood to find the VSS wire. You will need to lengthen the VSS wire that goes to the radio. VSS wire will be a Green/White wire populated into pin 11 of the EBCM Connector.

ENCLAVE, TRAVERSE & ACADIA
Electronic Brake Control Module (EBCM) Connector Location



PIN 11: VSS

ENCLAVE, TRAVERSE & ACADIA
Electronic Brake Control Module (EBCM)
LOCATED UNDER HOOD