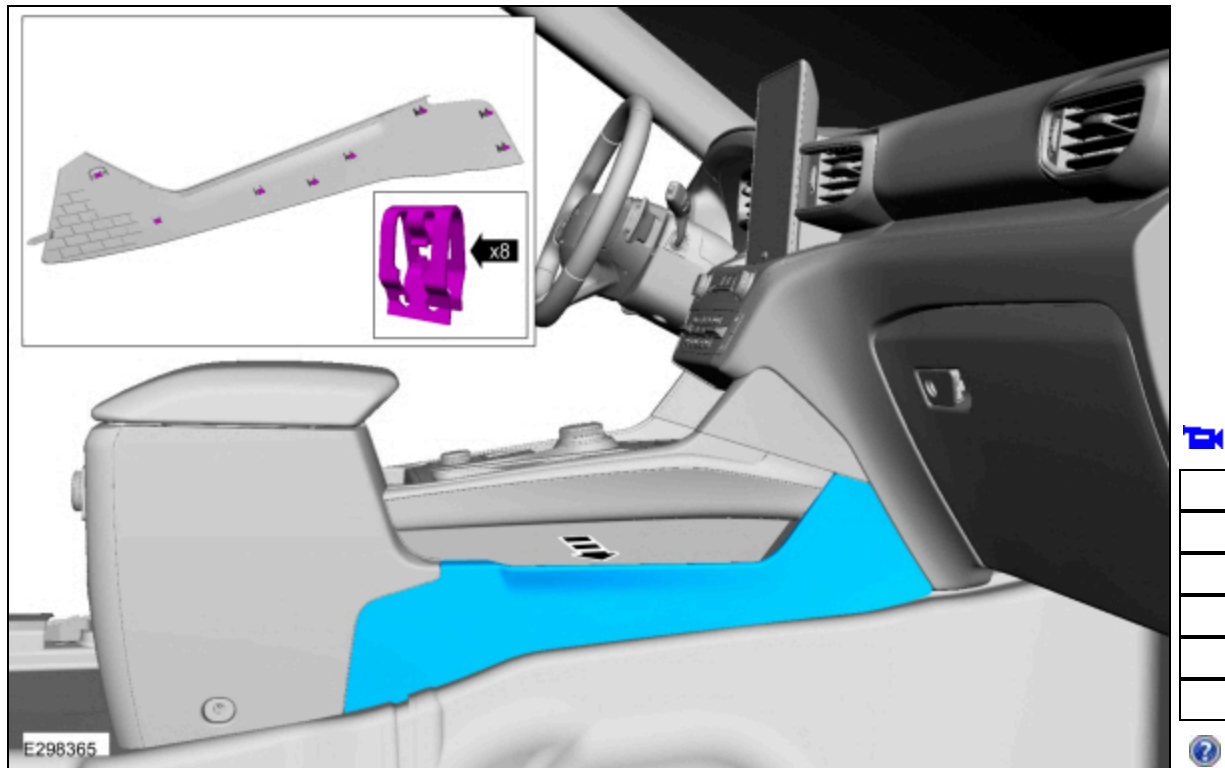


Passive Anti-Theft System (PATS) Center Antenna

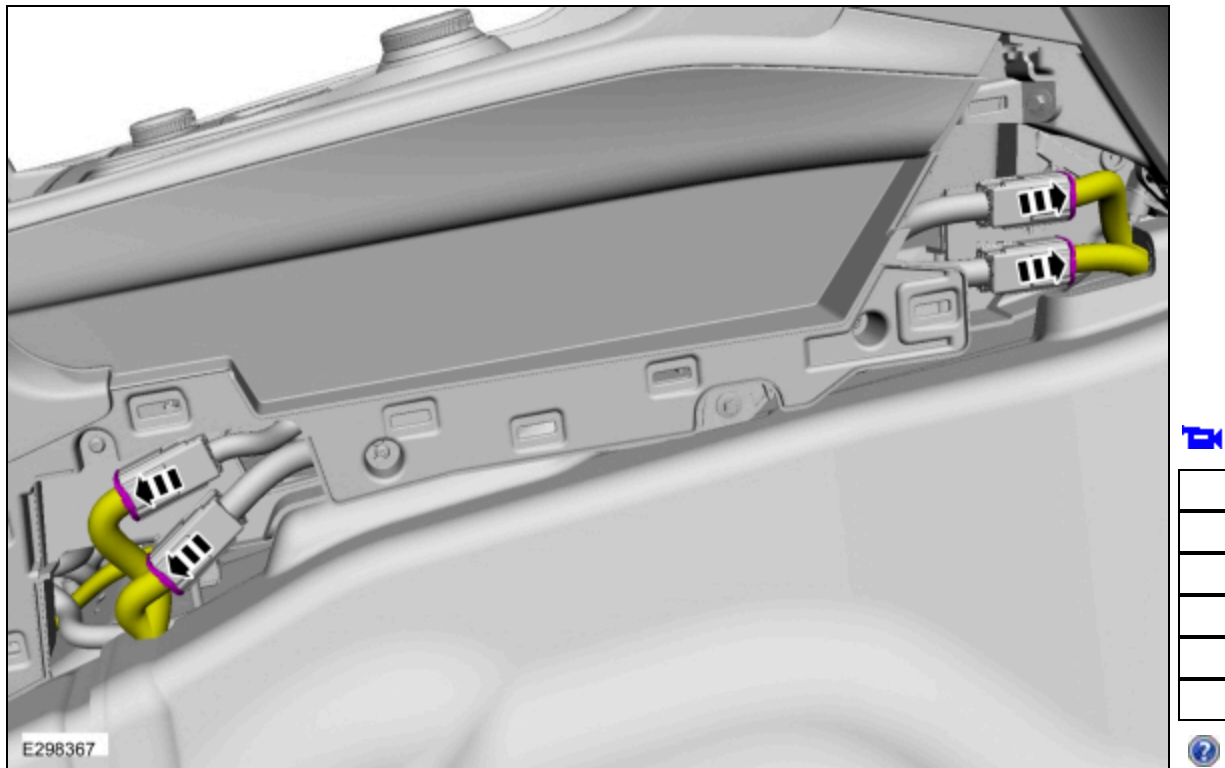
Removal

NOTE: Move the front seats forward and rearward as necessary to access floor console components.

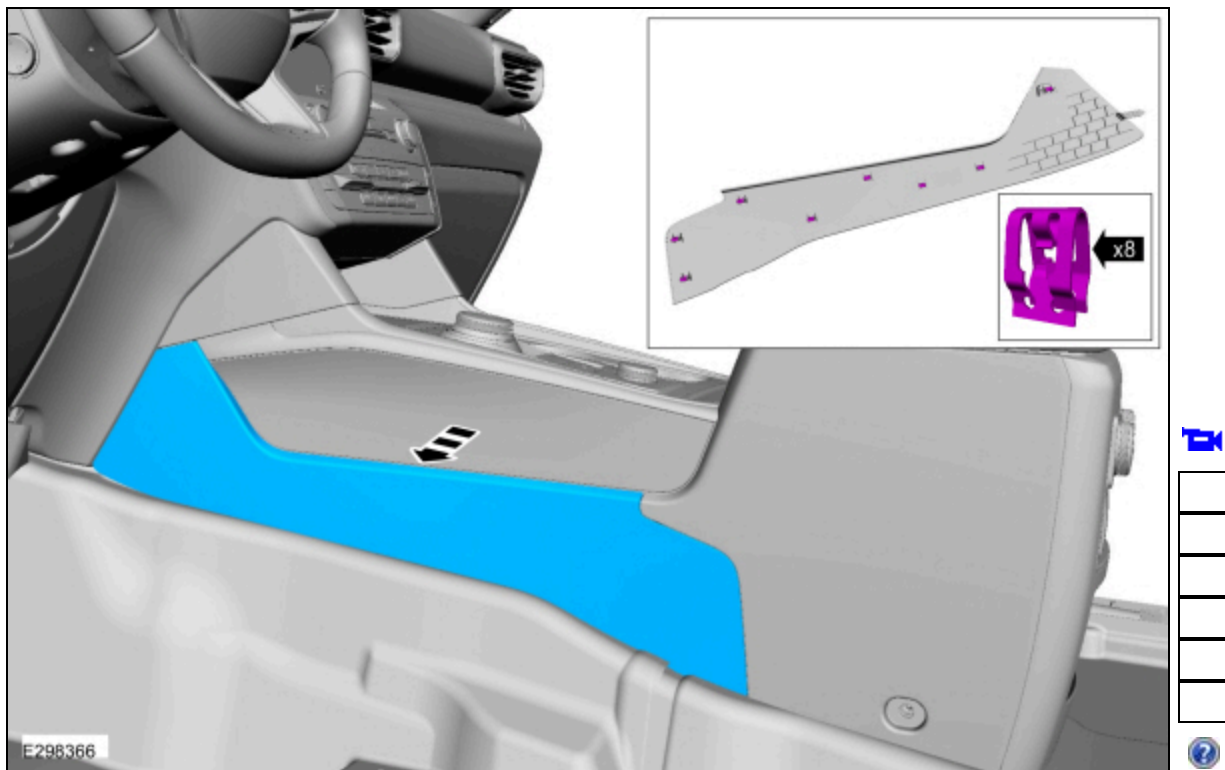
1. Release the clips and remove the RH floor console side trim panel.



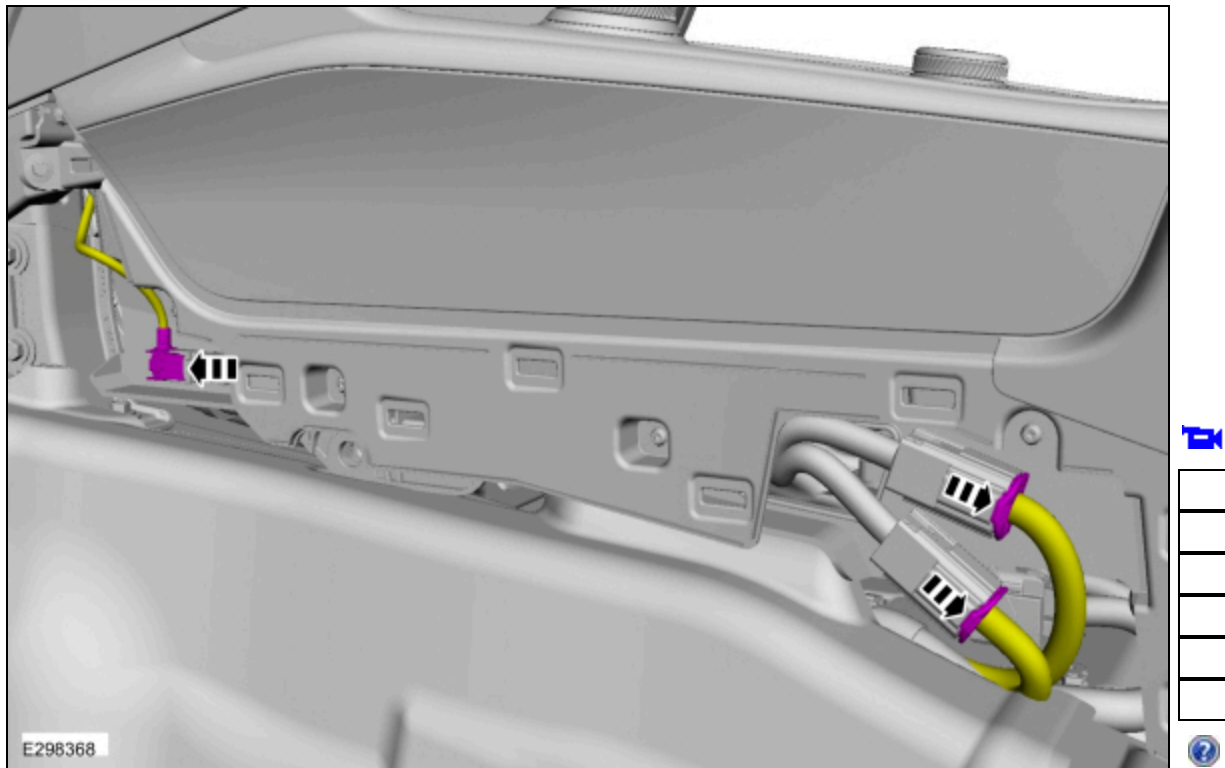
2. Disconnect the RH floor console electrical connectors.



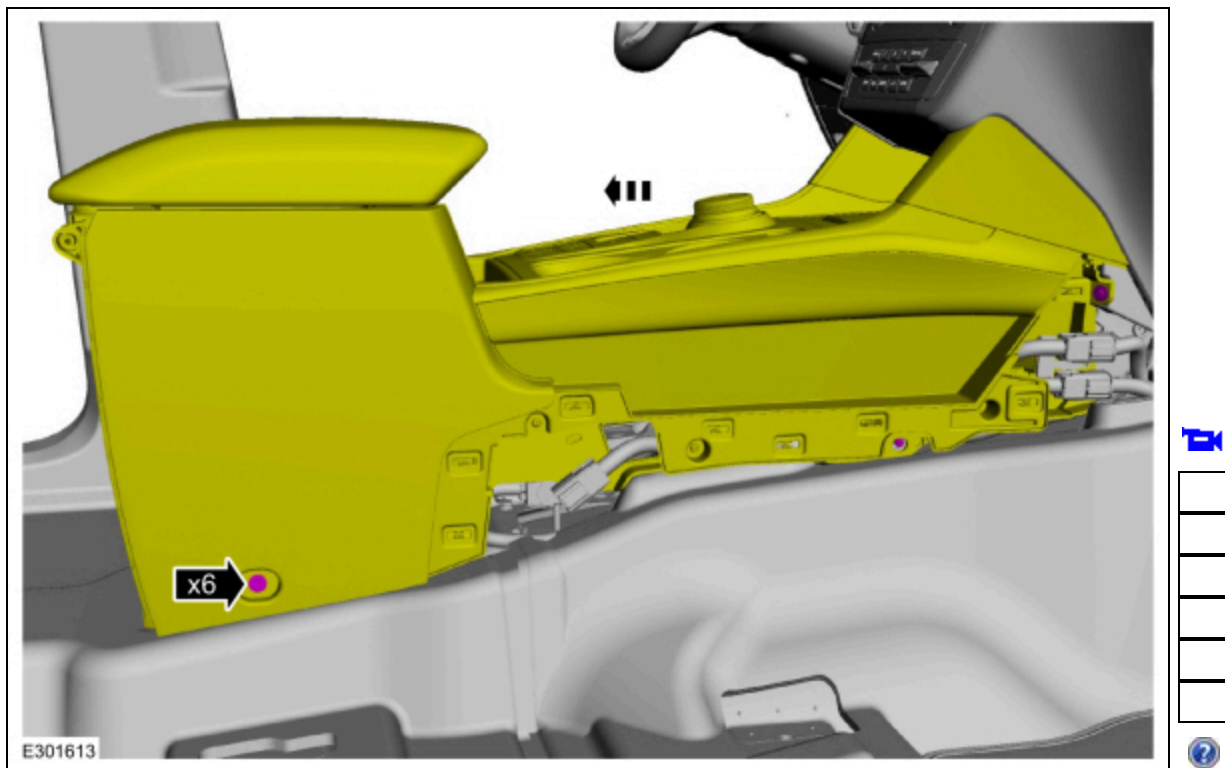
3. Release the clips and remove the LH floor console side trim panel.



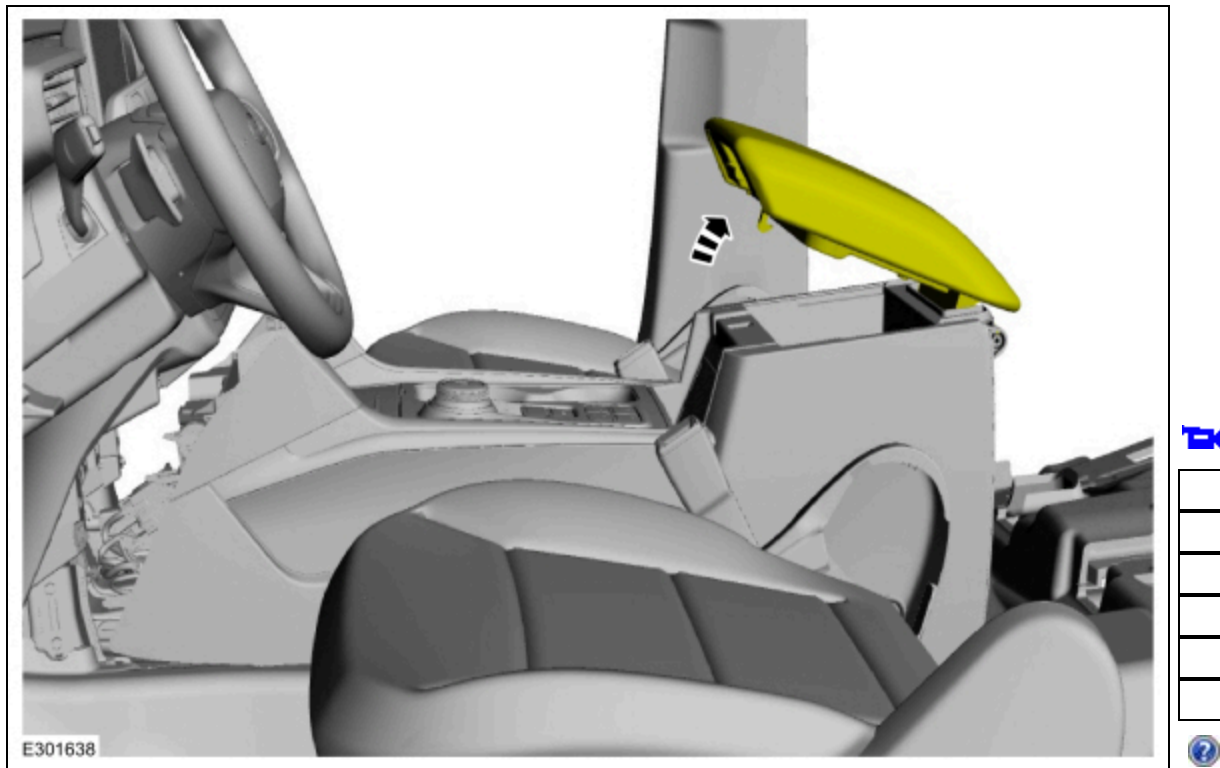
4. Disconnect the LH floor console electrical connectors.



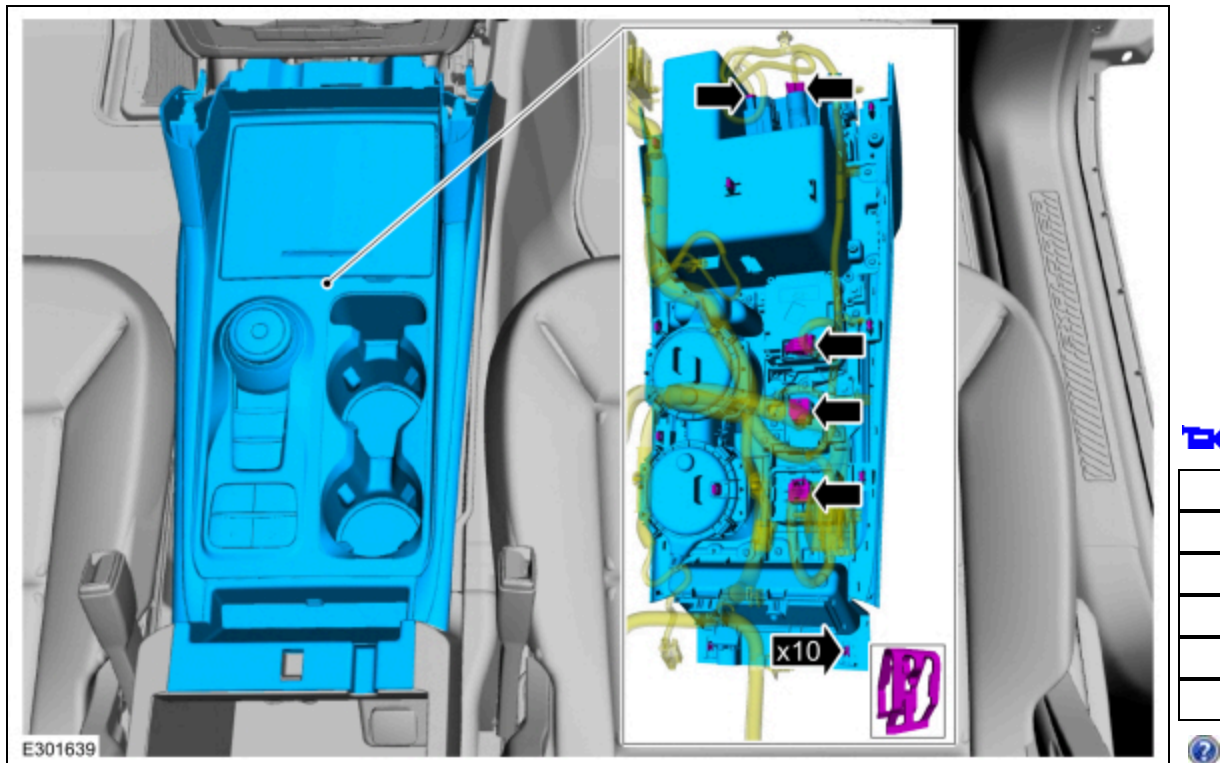
5. Remove the bolts and position the floor console rearward.



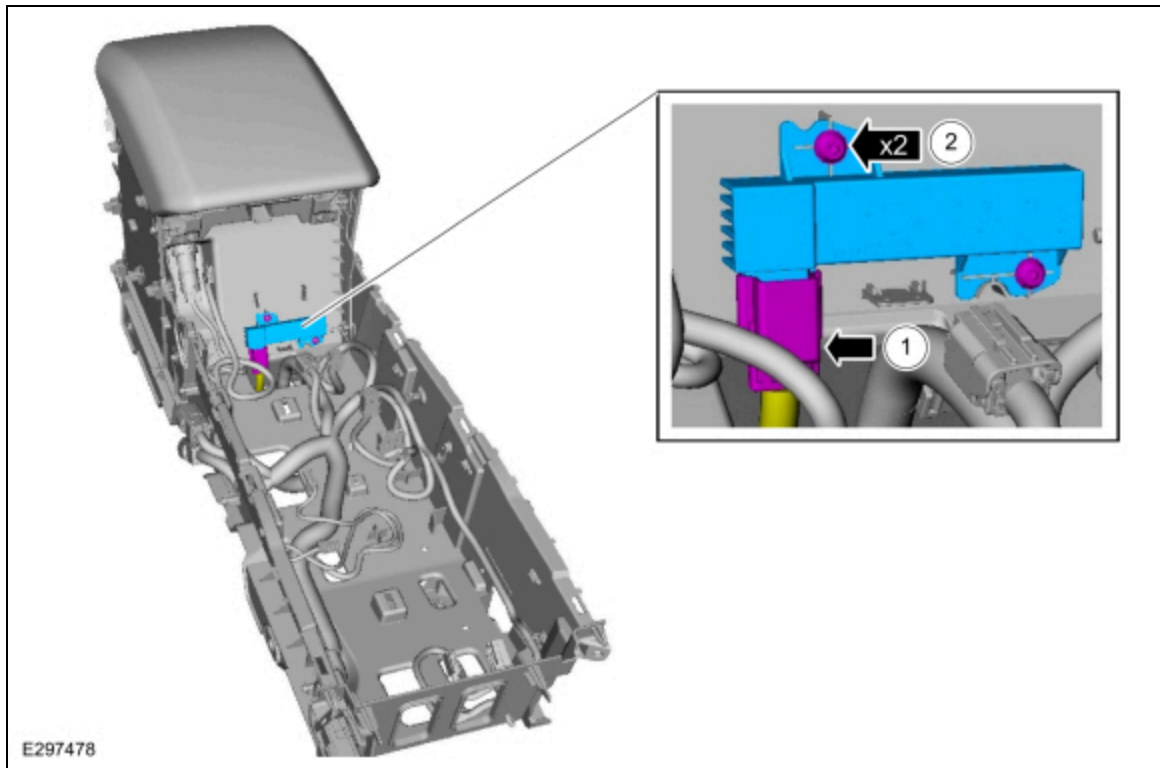
6. Open the console door.



7. Release the clips, detach the floor console top panel, disconnect the electrical connectors and remove the floor console top panel.



8. Remove the PATS center antenna.
1. Disconnect the PATS center antenna electrical connector.
 2. Remove the PATS center antenna screws.



Installation

1. To install, reverse the removal procedure.

© Copyright 2025, Ford Motor Company.