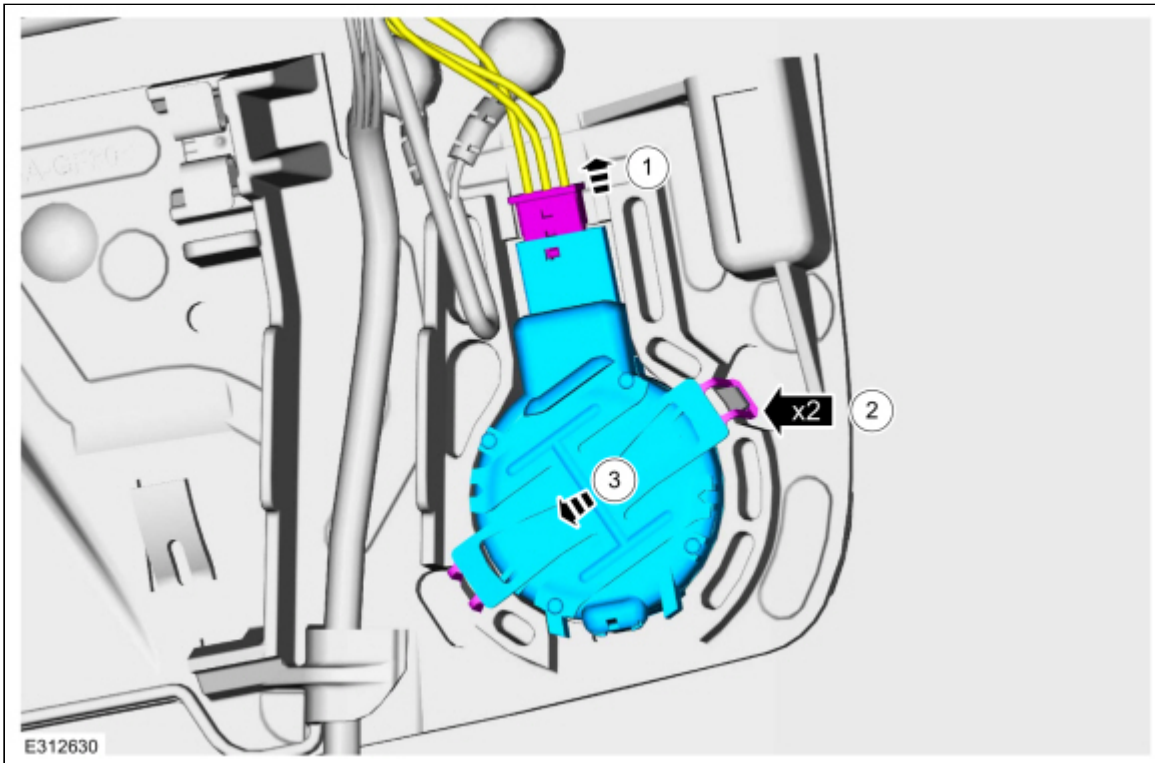


## Rain Sensor

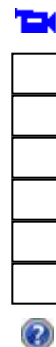
### Removal

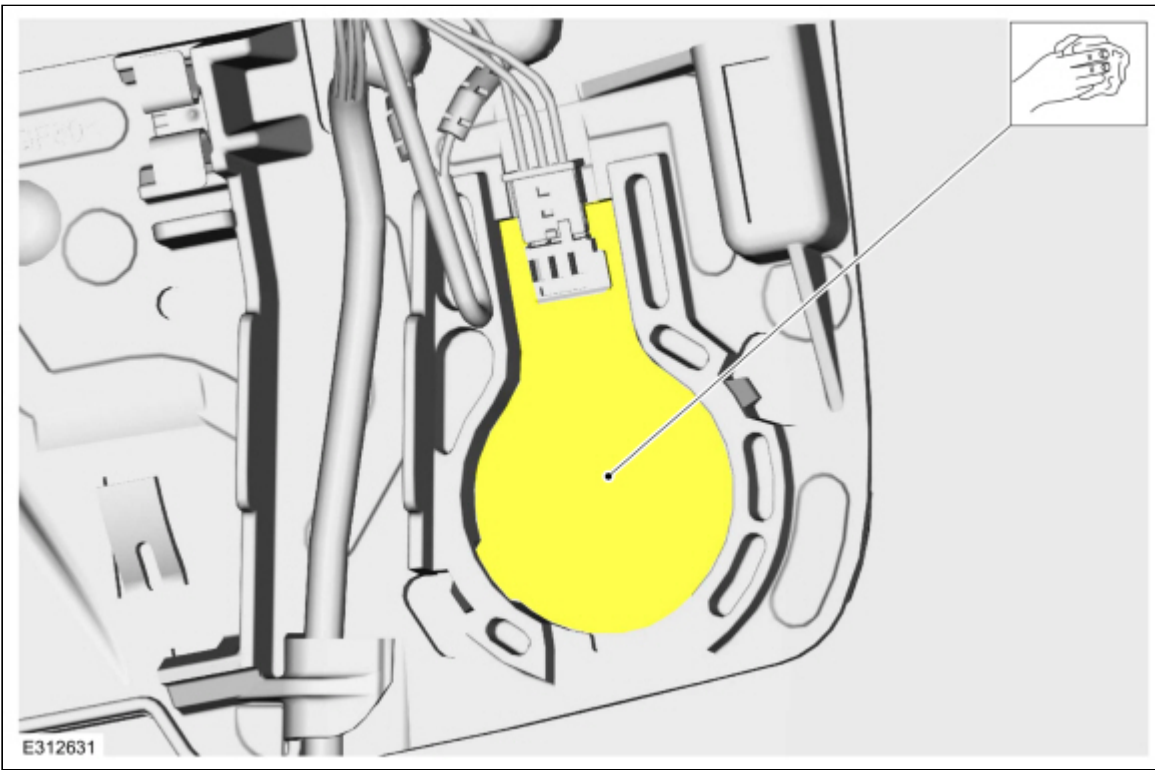
1. Remove the interior rear view mirror.  
Refer to: [Interior Rear View Mirror](#) (501-09 Rear View Mirrors, Removal and Installation).
2.
  1. Disconnect the electrical connector and position aside.
  2. Release the retainers.
  3. Remove the rain sensor.



### Installation

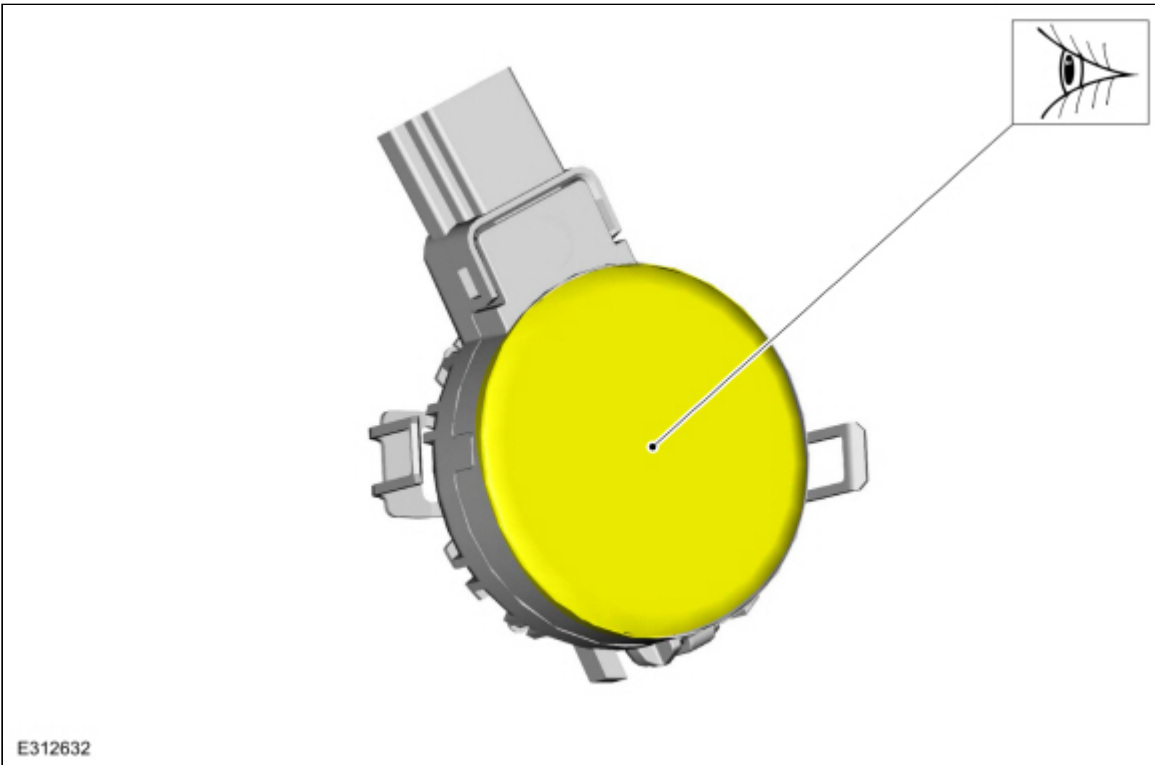
1. Clean the windshield glass area of foreign materials.



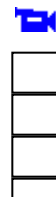


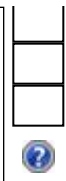
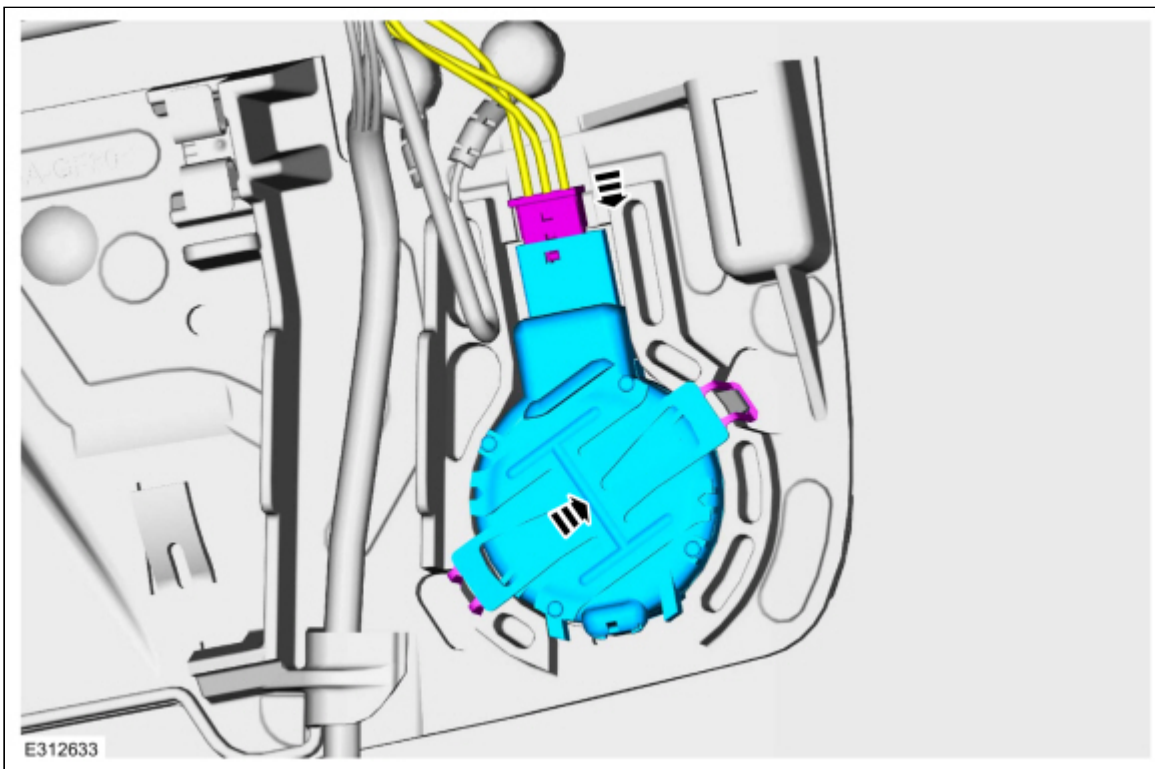
2. **NOTE:** If the rain sensor gel pack is damaged, install a new rain sensor.

Inspect the rain sensor gel pack for damage.



3. Install the rain sensor and connect the electrical connector.





4. Install the interior rear view mirror.  
Refer to: [Interior Rear View Mirror](#) (501-09 Rear View Mirrors, Removal and Installation).

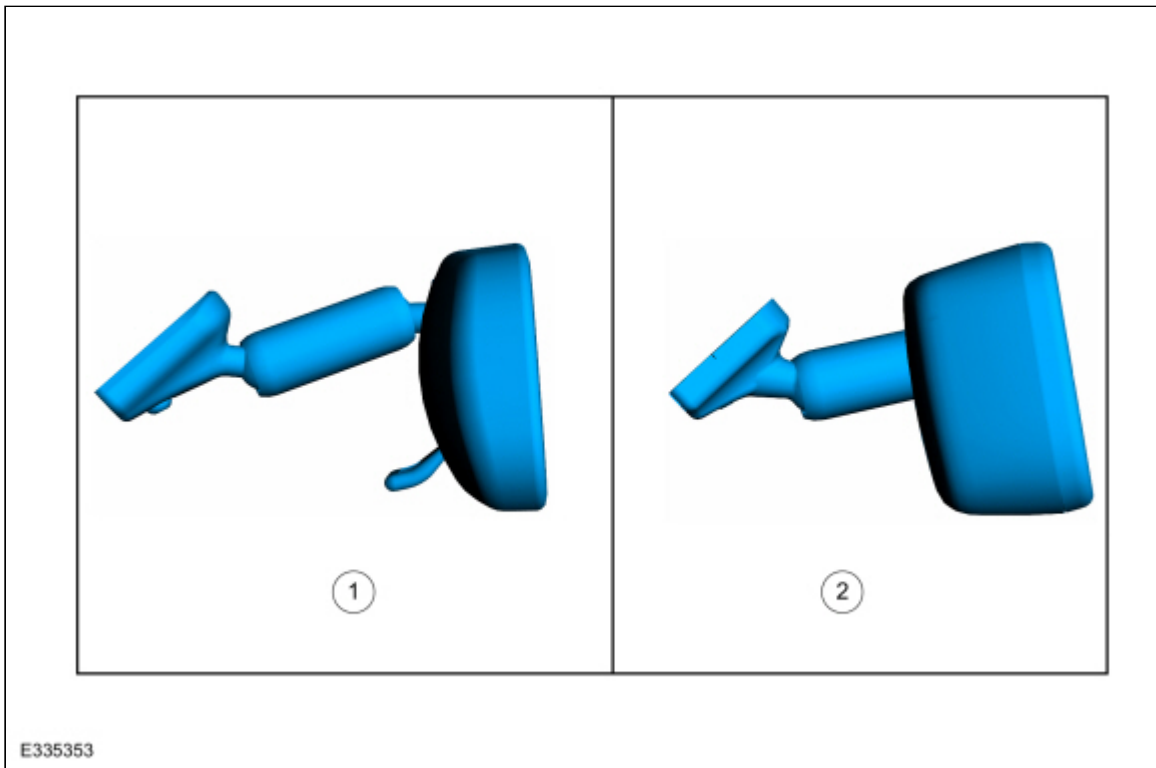
### Interior Rear View Mirror

#### Removal

**NOTE:** Removal steps in this procedure may contain installation details.

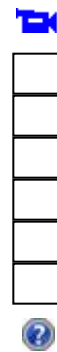
1. **NOTE:** The location and number of electrical connectors may vary based on vehicle application.

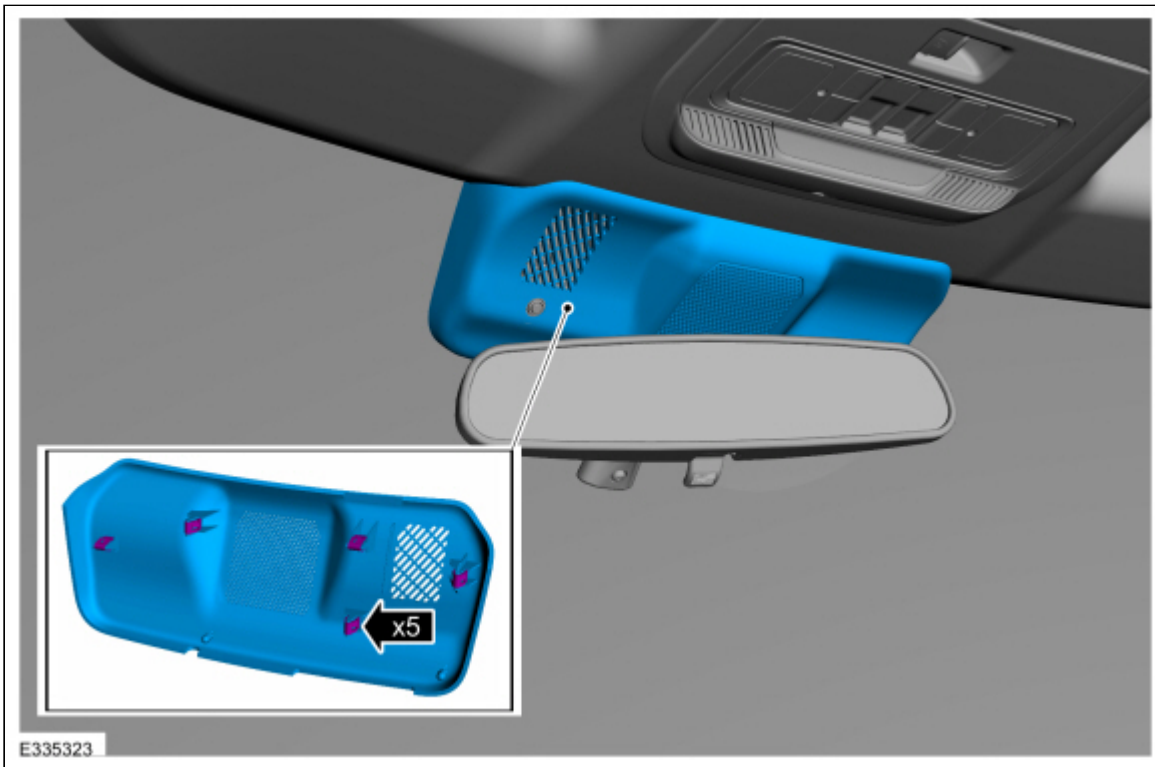
#### Mirror Types



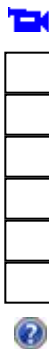
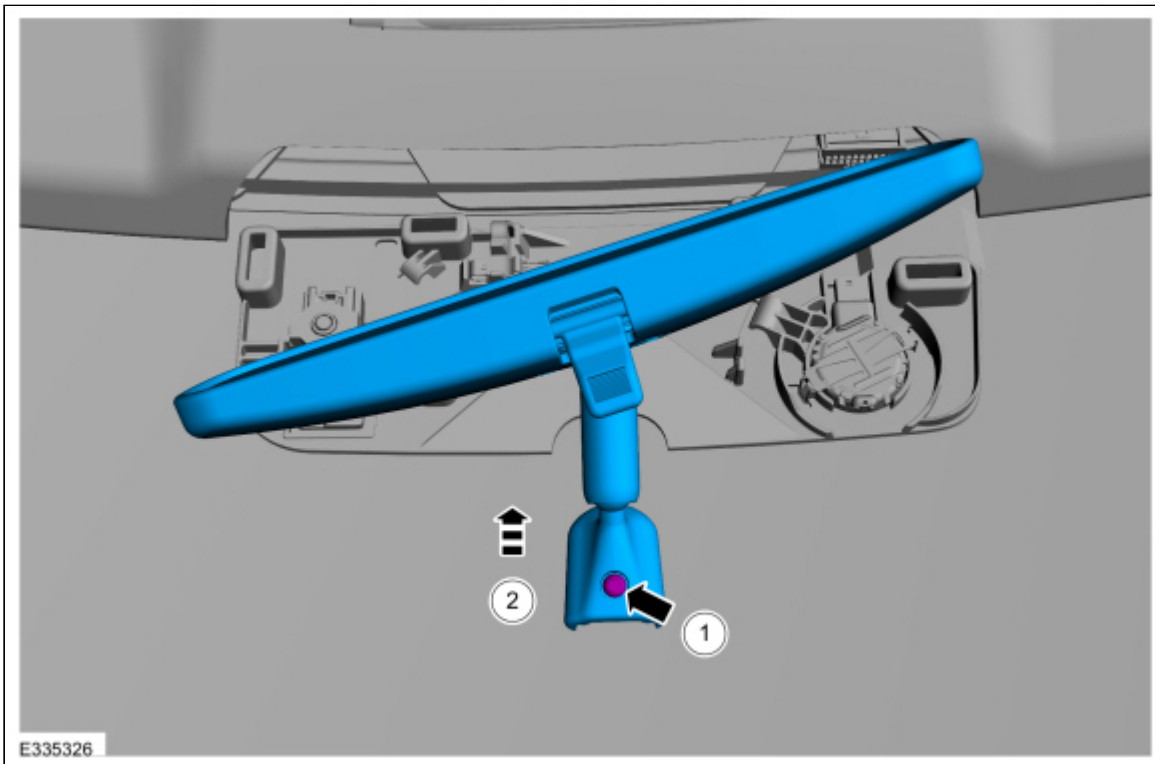
#### All vehicles

2. If equipped.  
Remove the rain sensor cover.





3. Remove the interior mirror.
1. Loosen the set screw.  
*Torque: 17 lb.in (1.9 Nm)*
  2. Slide the interior mirror upward.

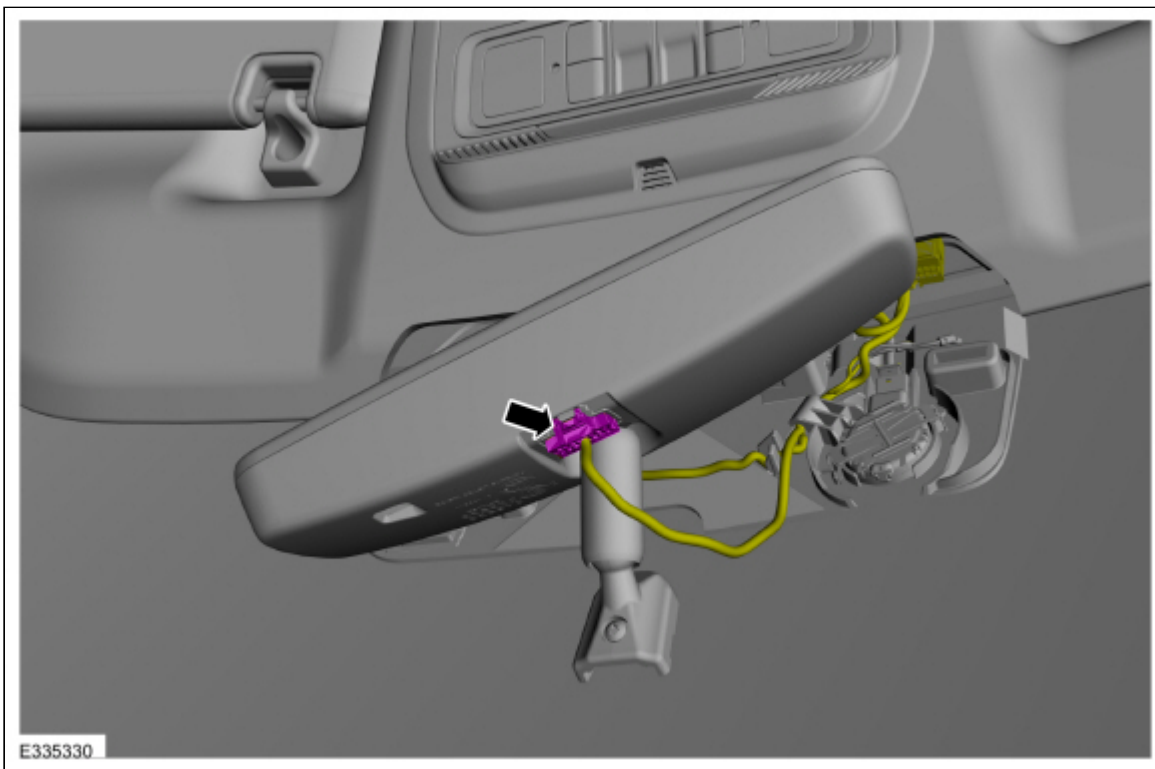


**All vehicles**

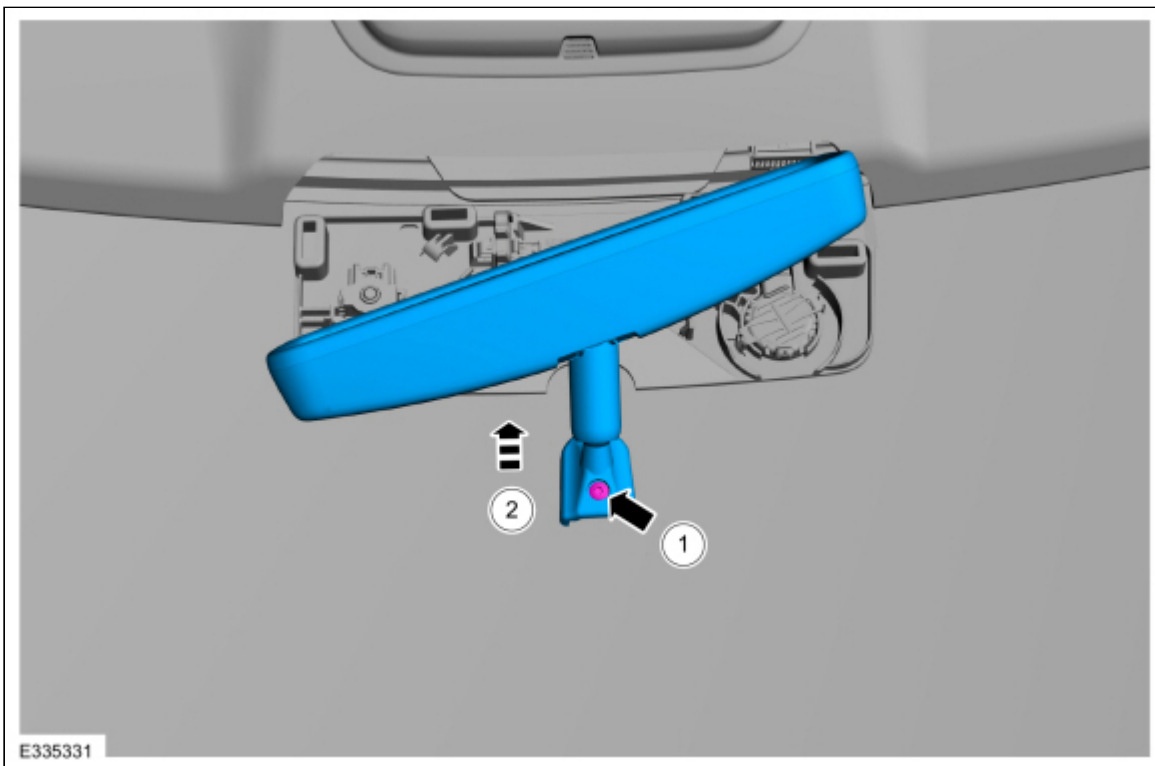
4. If equipped.  
Remove the rain sensor cover.







7. Remove the interior mirror.
1. Loosen the set screw.  
*Torque: 17 lb.in (1.9 Nm)*
  2. Slide the interior mirror upward.



## Installation

### All vehicles

1. To install, reverse the removal procedure.

**All vehicles**

2. To install, reverse the removal procedure.